

- Sliding nuts
- Accessories for mounting rails
- For mounting rails MR-GT



Sliding nuts for quick mounting type SLN-GTR

- Sliding nuts

Brand

- SUFIX

Application

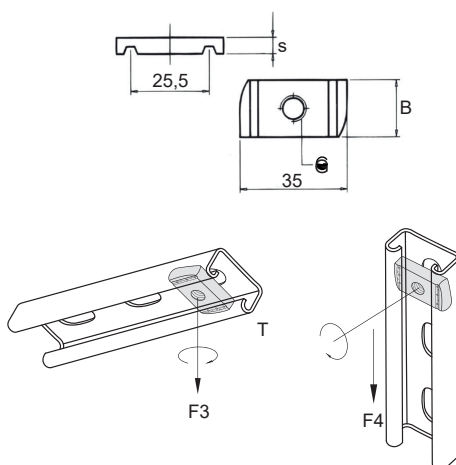
- Sliding nut for the mounting of threads type **THA** on rails type **MR-GT**
- In order to avoid any risk of loosening, it is recommended to use a washer type **WAS-MR40** and a nut type **HNU**

Material

- Galvanized steel

Models

- Available in M8



SLN-GTR M8	Dimensions					Опаковка 100 бр.
	ØG	B x s (mm)	F3 [kN]	F4 [kN]	T [Nm]	
	M8	20 x 6	6	2.4	8.4	

Mounting example

