



Access doors for circular ducts type RPDR

Access doors for spiral ducts

Brand

- SUFIX

Application

- For inspection and maintenance of circular ventilation ducts

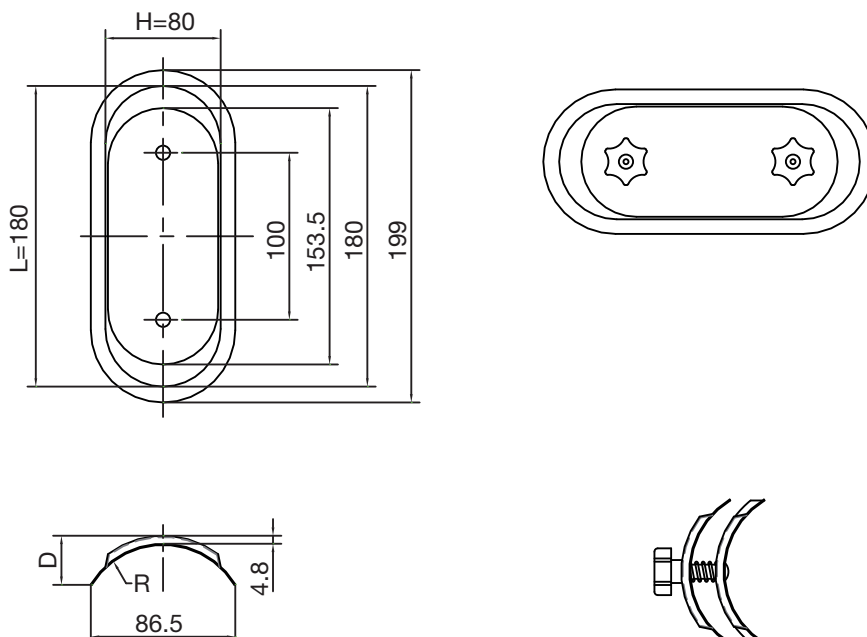
Material

- Galvanized steel
- Airtight sealing on the inner part of the sandwich door

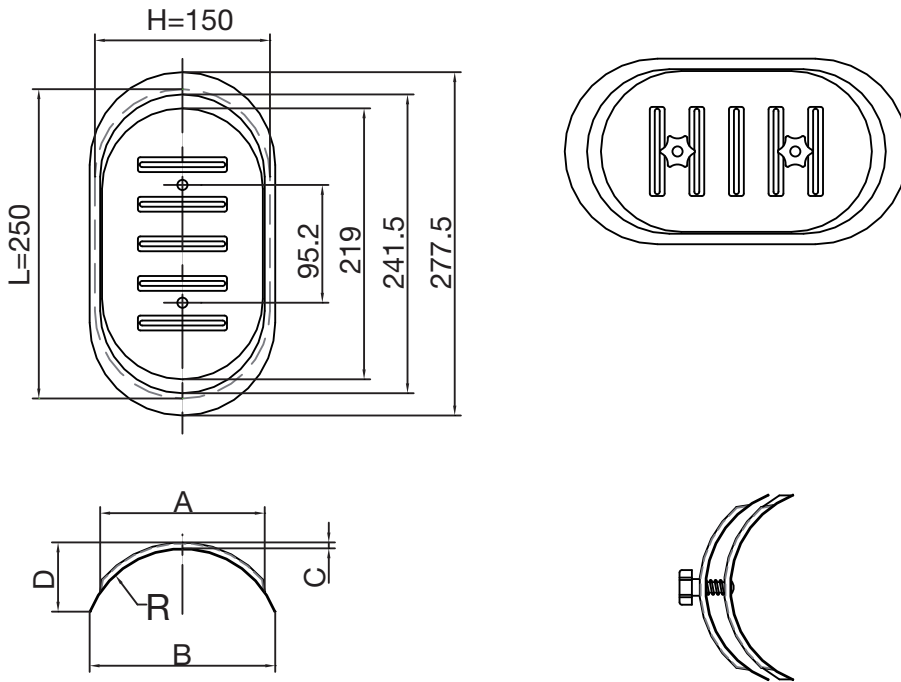
Specifications

- Conical spring design which enables the two piece door to perform as a single unit
- Template for cutting included
- Airtight until 2000 Pa in overpressure and 750 Pa in underpressure

Dimension drawing of RPDR 180 x 80

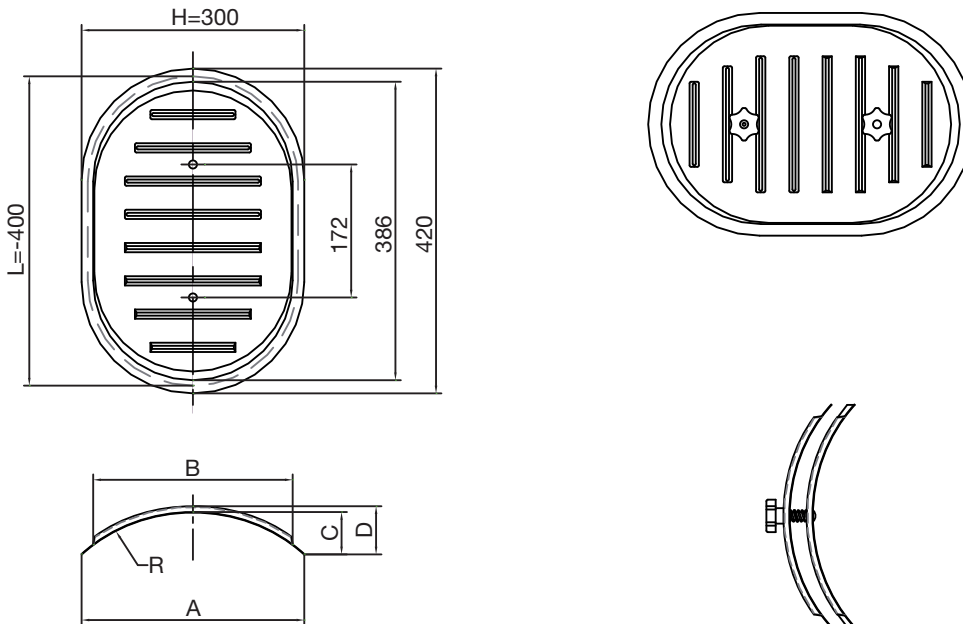


Dimension drawing of RPDR 250 x 150



Dimensions RPDR 250x150						
	L x H	A	B	R	C	D
RPDR-B16	250 X 150	133	150	80	4.8	50.2
RPDR-B20	250 X 150	140	160.5	100	5	43
RPDR-B25	250 X 150	140.5	168	125	6.8	37.8
RPDR-B31	250 X 150	144	172.5	157.5	6.5	31.7
RPDR-B35	250 X 150	143	175.5	175	6.2	28.7
RPDR-B40	250 X 150	145	176.5	200	6.8	26

Dimension drawing of RPDR 400 x 300



Dimensions RPDR 400x300						
	L x H	A	B	R	C	D
RPDR-C56	400 x 300	296	266	272.5	43.7	51.2
RPDR-C63	400 x 300	299	269	307.5	38.8	46.3
RPDR-C71/80	400 x 300	302	272	347.5	34.5	42